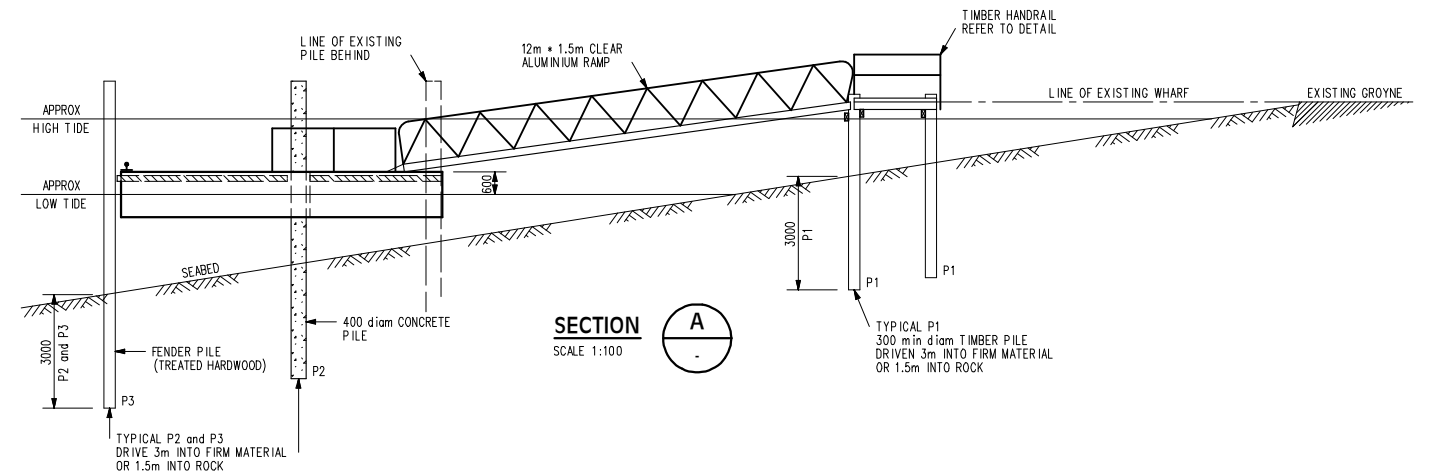
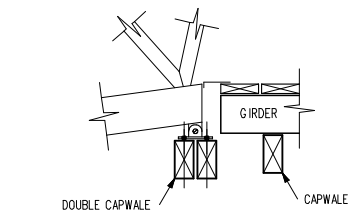


**GENERAL LAYOUT PLAN**

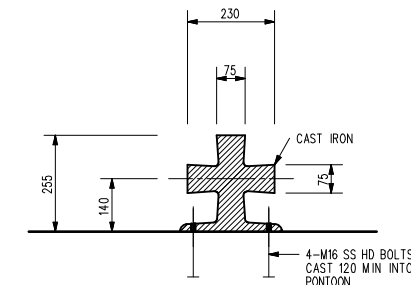
SCALE 1:100  
 NOTE  
 HR ... DENOTES TIMBER HANDRAIL - REFER TO DETAIL  
 CONTOURS ARE APPROXIMATE ONLY - CHECK AND CONFIRM DEPTHS PRIOR TO COMMENCEMENT OF CONTRACT



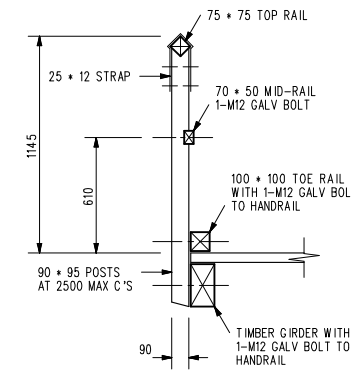
**SECTION A**  
 SCALE 1:100



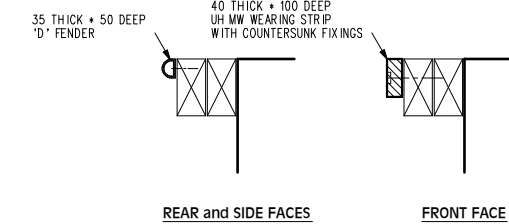
**TYPICAL DETAIL AT TOP OF RAMP**  
 SCALE 1:20



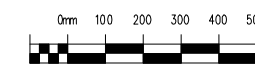
**TYPICAL BOLLARD DETAIL**  
 SCALE 1:10



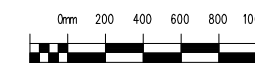
**TIMBER HANDRAIL**  
 SCALE 1:20



**TYPICAL FENDER DETAILS**  
 SCALE 1:10



SCALE 1:10 @ A1



SCALE 1:20 @ A1



SCALE 1:100 @ A1

REVISIONS		
<b>DOCKER SMITH</b> PTY LIMITED <small>ABN 17 001 705 237</small>		
CONSULTING STRUCTURAL & CIVIL ENGINEERS 7/141 PENSURST STREET, WILLOUGHBY NSW 2068 TELEPHONE 9411 3211 FACSIMILE 9411 3255 E-Mail: docksmith@bigpond.com		
<b>NEW PONTOON and ACCESS RAMP</b> TENNIS WHARF, SCOTLAND ISLAND PITTWATER COUNCIL		
<b>LAYOUT PLAN and DETAILS</b>		
SCALE @ A1: 1:100 1:20 1:10	DATUM: I.S.L.W.	
DATE: October, 2007	DRAWING No	REVISION No
DRAWN: A.M.K.	<b>07004/s2</b>	
CHECKED: K.B.S.		